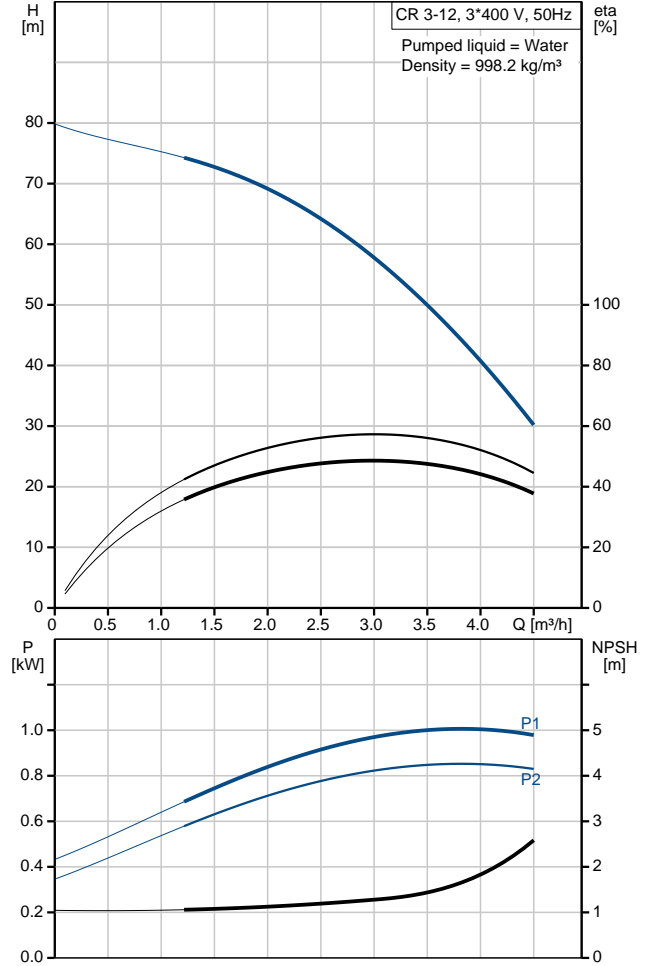


Position	Qty.	Description	Single Price
	1	<p data-bbox="320 159 596 188"><b>CR 3-12 A-A-A-E-HQQE</b></p>  <p data-bbox="711 501 1193 524">Note! Product picture may differ from actual product</p> <p data-bbox="320 533 584 560">Product No.: <a href="#">96516599</a></p> <p data-bbox="320 593 1225 741">Vertical, multistage centrifugal pump with suction and discharge ports on same the level (in-line) enabling installation in a horizontal one-pipe system. The pump head and base are in cast iron – all other wetted parts are in stainless steel. A cartridge shaft seal ensures high reliability, safe handling and easy service and access. Power transmission is via a split coupling. Pipework connection is via oval flanges with internal Rp threads.</p> <p data-bbox="320 761 1053 788">The pump is fitted with a 3-phase, fan-cooled asynchronous motor.</p> <p data-bbox="320 819 405 846"><b>Liquid:</b></p> <p data-bbox="320 848 823 907">Pumped liquid: Water Liquid temperature range: -20 .. 120 °C</p> <p data-bbox="320 938 443 965"><b>Technical:</b></p> <p data-bbox="320 967 790 1115">Speed for pump data: 2853 rpm Rated flow: 3 m³/h Rated head: 57 m Shaft seal: HQQE Approvals on nameplate: CE, TR</p> <p data-bbox="320 1146 437 1173"><b>Materials:</b></p> <p data-bbox="320 1176 887 1350">Pump housing: Cast iron EN-JL1030 ASTM A48-30 B Impeller: Stainless steel DIN W.-Nr. 1.4301 AISI 304</p> <p data-bbox="320 1382 461 1408"><b>Installation:</b></p> <p data-bbox="320 1411 858 1500">Maximum ambient temperature: 60 °C Max pressure at stated temp: 16 bar / 120 °C 16 bar / -20 °C</p> <p data-bbox="320 1503 756 1592">Flange standard: OVAL Pipe connection: Rp 1 Flange size for motor: FT100</p> <p data-bbox="320 1624 497 1650"><b>Electrical data:</b></p> <p data-bbox="320 1653 984 2096">Motor type: 80C IE Efficiency class: IE3 Number of poles: 2 Rated power - P2: 1.1 kW Power (P2) required by pump: 1.1 kW Mains frequency: 50 Hz Rated voltage: 3 x 220-240 D/380-415 Y V Rated current: 4,35/2,50 A Starting current: 450-500 % Cos phi - power factor: 0,83-0,76 Rated speed: 2840-2870 rpm IE efficiency: IE3 82,7% Enclosure class (IEC 34-5): 55 (Protect. water jets/dust) Insulation class (IEC 85): F</p>	

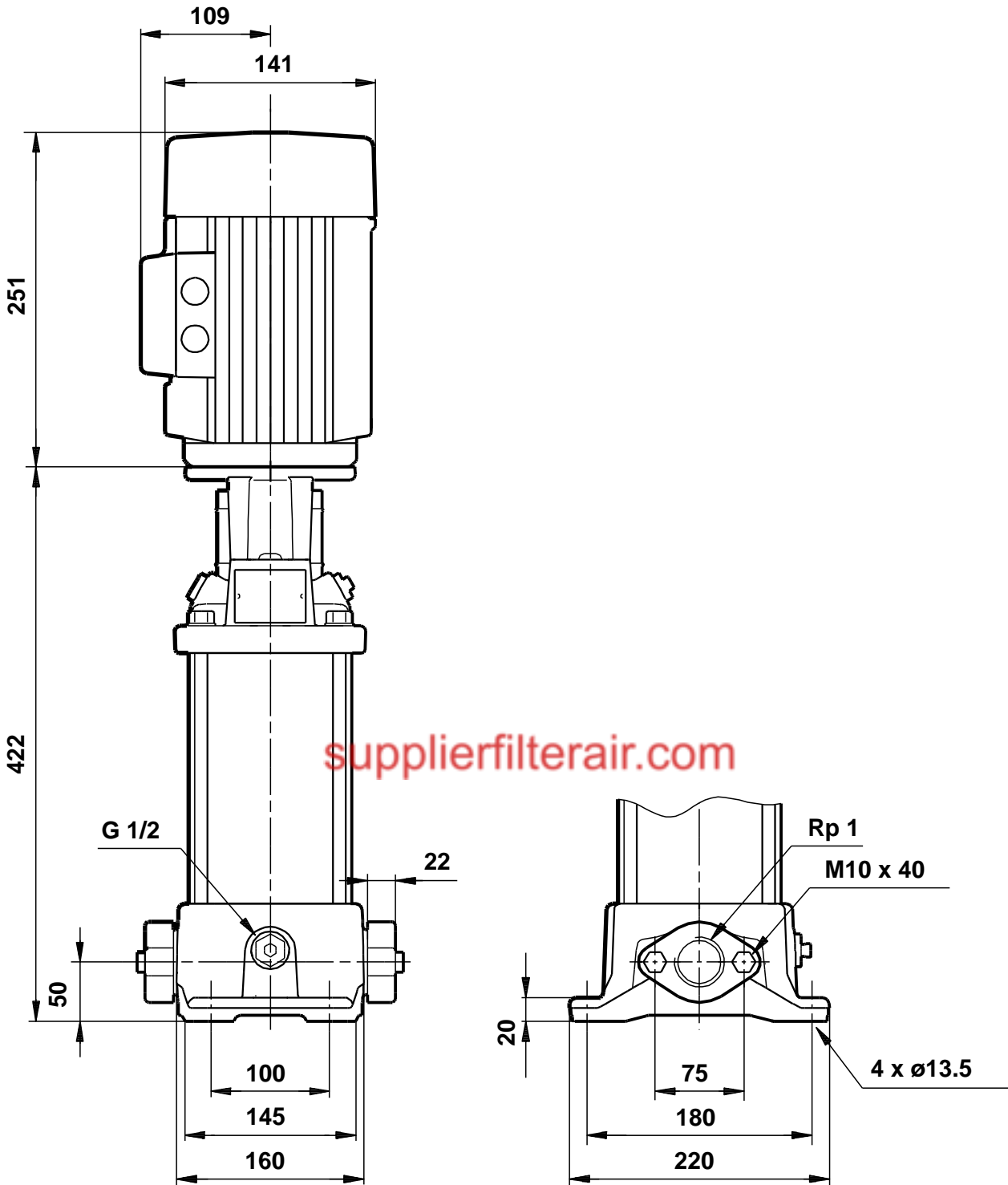
Position	Qty.	Description	Single Price
		<p><b>Others:</b></p> <p>Label: Grundfos Blueflux</p> <p>Minimum efficiency index, MEI : 0.7</p> <p>Net weight: 26.6 kg</p> <p>Gross weight: 29.4 kg</p> <p>Shipping volume: 0.06 m3</p>	
<p>supplierfilterair.com</p>			

Description	Value
Product name:	CR 3-12 A-A-A-E-HQQE
Product No:	96516599
EAN number:	5700396746111
<b>Technical:</b>	
Speed for pump data:	2853 rpm
Rated flow:	3 m <sup>3</sup> /h
Rated head:	57 m
Head max:	79.1 m
Impellers:	12
Shaft seal:	HQQE
Approvals on nameplate:	CE,TR
Pump type:	CR 3
Stages:	12
Pump version:	A
Model:	A
<b>Materials:</b>	
Pump housing:	Cast iron EN-JL1030
Impeller:	Stainless steel ASTM A48-30 B DIN W.-Nr. 1.4301 AISI 304
Material code:	A
Code for rubber:	E
<b>Installation:</b>	
Maximum ambient temperature:	60 °C
Max pressure at stated temp:	16 bar / 120 °C 16 bar / -20 °C
Flange standard:	OVAL
Connect code:	A
Pipe connection:	Rp 1
Flange size for motor:	FT100
<b>Liquid:</b>	
Pumped liquid:	Water
Liquid temperature range:	-20 .. 120 °C
<b>Electrical data:</b>	
Motor type:	80C
IE Efficiency class:	IE3
Number of poles:	2
Rated power - P2:	1.1 kW
Power (P2) required by pump:	1.1 kW 1.1 kW
Mains frequency:	50 Hz
Rated voltage:	3 x 220-240 D/380-415 Y V
Rated current:	4,35/2,50 A
Starting current:	450-500 %
Cos phi - power factor:	0,83-0,76
Rated speed:	2840-2870 rpm
IE efficiency:	IE3 82,7%
Enclosure class (IEC 34-5):	55 (Protect. water jets/dust)
Insulation class (IEC 85):	F
Motor protec:	NONE
Motor No:	85U05105
<b>Others:</b>	
Label:	Grundfos Blueflux
Minimum efficiency index, MEI :	0.7
Net weight:	26.6 kg
Gross weight:	29.4 kg
Shipping volume:	0.06 m <sup>3</sup>



supplierfilterair.com

96516599 CR 3-12 50 Hz



Note! All units are in [mm] unless others are stated.  
Disclaimer: This simplified dimensional drawing does not show all details.